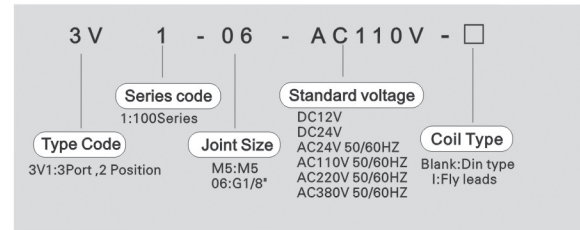


3V1 Series Solenoid valve

Ordering Code

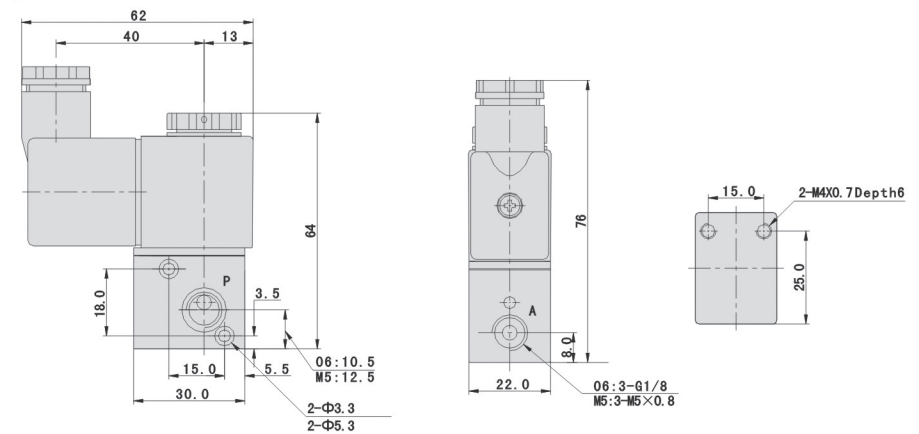


Specifications 3V1 Series Solenoid Valve (2 Position 3 Port)

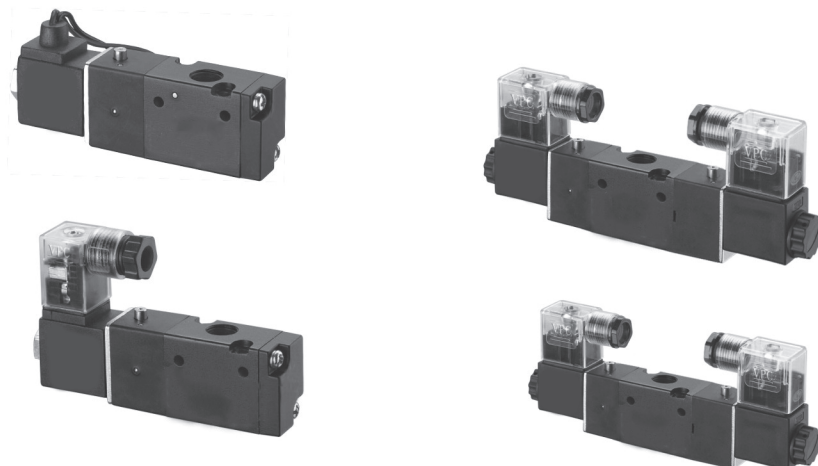
Model	3V1-M5	3V1-06
Working medium	Clean Air(40µm filtration)	
Acting type	Direction	
Joint Size	M5	1/8
Ways	2 Position 3 Port	
Working Temperature	-5~60°C	
Orifice	1.2mm	
Working pressure	0.8Mpa	
Coil Type	Din type, Flying Leads	
Max acting frequency	10Times/s	



Main Specifications



3V Series Solenoid valve



Ordering Code

3 V **2** **10** - **08** - **□** **□** - **AC 220 V**

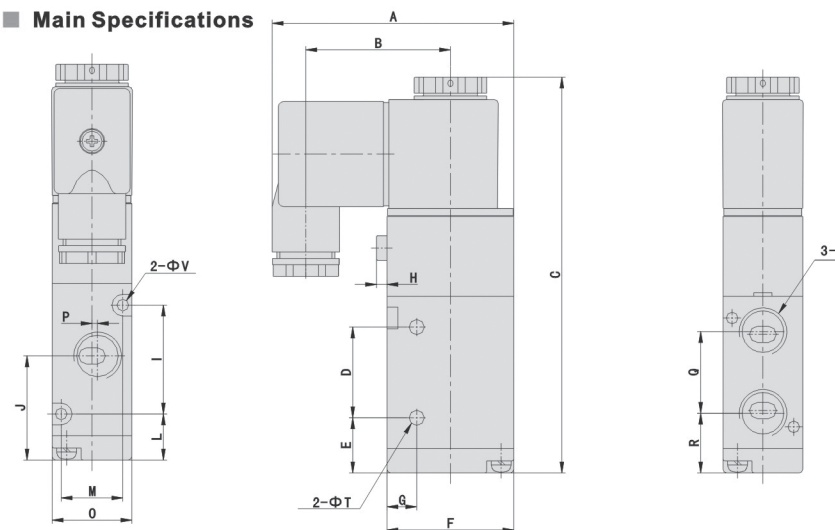
Type Code 3V:3Port, 2 Position	Series code 1:100Series 2:200Series 3:300Series 4:400Series	Coil 10:Single control 20:Double control	Joint Size M5:M5 06:G1/8" 08:G1/4" 10:G3/8" 15:G1/2"	Control Type Blank:Normal Close NO:Normal Open	Coil Type Blank:DIN Type I:Flying leads	Standard voltage DC12V DC24V AC24V 50/60HZ AC110V 50/60HZ AC220V 50/60HZ AC380V 50/60HZ
--	--	---	--	---	--	--

3V Series Solenoid Valve

Specifications 3V Series Solenoid valve (2Position 3 Port Single control)

Model	3V110-M5	3V110-06	3V210-06	3V210-08	3V310-08	3V310-10	3V410-15
Working medium	Clean Air(40μm filtration)						
Acting type	Direct Acting						
Joint Size	Import=Export=M5	Import=Export=1/8	Import=Export=1/8	Import=Export=1/4	Import=Export=1/4	Import=Export=3/8	Import=Export=1/2
Sectional area	5.5mm ² (CV=0.31)	12mm ² (CV=0.67)	14mm ² (CV=0.78)	16mm ² (CV=0.89)	25mm ² (CV=1.39)	30mm ² (CV=1.67)	50mm ² (CV=2.79)
Working pressure	0.15~0.9Mpa						
Max Pressure	1.2Mpa						
Working Temperature	-5~60℃						
Voltage Range	-15%~10%						
Heat Resistant Grade	B						
Protective Class	IP65(DIN40050)						
Coil Type	DIN Type、 Flying leads						
Max Acting Frequency	5 Times/s						4 Time/mm

Main Specifications



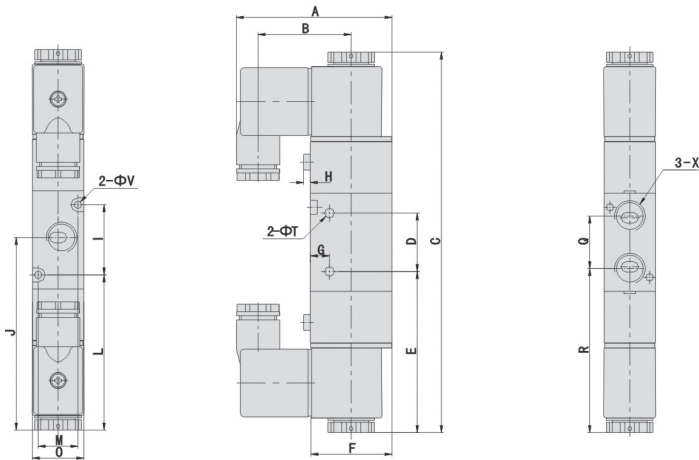
Model	Sign	A	B	C	D	E	F	G	H	I	J	L	M	O	P	Q	R	ΦV	ΦT	X
3V110-M5		55.0	34	88.4	21	12.2	27	7.7	2.5	19	22.7	13.2	13	18	0	14.2	14.7	3.3	3.1	M5
3V110-06		55.0	34	88.4	21	12.2	27	7.7	2.5	19	23.7	13.2	13	18	1	16.0	14.7	3.3	3.1	1/8"
3V210-06		66.7	40	109	25	15.2	35	8.2	3	30	27.7	12.7	17	22	0	22.0	16.7	3.2	4.2	1/8"
3V210-08		66.7	40	109	25	15.2	35	8.2	3	30	28.7	12.7	17	22	1.5	22.5	16.7	3.2	4.2	1/4"
3V310-08		69.2	40	120	30	17.5	40	10.5	2.4	35	32.5	15.0	20	27	0	24.0	20.5	4.3	4.3	1/4"
3V310-10		69.2	40	120	30	17.5	40	10.5	2.4	35	32.5	15.0	20	27	2	24.0	20.5	4.3	4.3	3/8"
3V410-15		74.2	40	137	51	17.5	50	11.5	3	40	41.5	17.0	27	34	2	31.5	25.5	4.3	4.3	1/2"

3V Series Solenoid Valve

Specifications 3V Series Solenoid valve (2Position 3 Port Double Control)

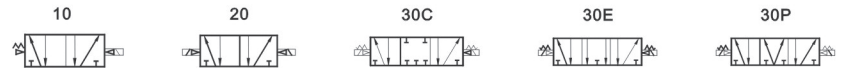
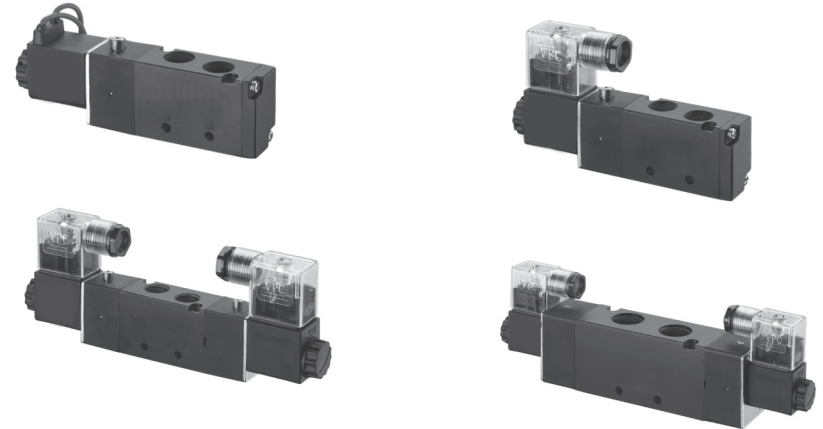
Model	3V120-M5	3V120-06	3V220-06	3V220-08	3V320-08	3V320-10	3V420-15
Working medium	Clean Air(40µm filtration)						
Acting type	Direct Acting						
Joint Size	Import=Export=M5	Import=Export=1/8	Import=Export=1/8	Import=Export=1/4	Import=Export=1/4	Import=Export=3/8	Import=Export=1/2
Sectional area	5.5mm ² (CV=0.31)	12mm ² (CV=0.67)	14mm ² (CV=0.78)	16mm ² (CV=0.89)	25mm ² (CV=1.39)	30mm ² (CV=1.67)	50mm ² (CV=2.79)
Working pressure	0.15~0.9Mpa						
Max Pressure	1.2Mpa						
Working Temperature	-5~60°C						
Voltage Range	-15%~10%						
Heat Resistant Grade	B						
Protective class	IP65(DIN40050)						
Coil Type	DIN Type、Flying leads						
Max Acting Frequency	5 Times/s						4 Times/s

Main Specifications



Model	Sign	A	B	C	D	E	F	G	H	I	J	L	M	O	X	Q	R	ΦV	ΦT
3V120-M5	55	34	131.4	21	55.2	27	7.7	2.5	19	65.7	56.2	13	18	M5	16	57.7	3.3	3.1	
3V120-06	55	34	131.4	21	55.2	27	7.7	2.5	19	66.7	56.2	13	18	1/8"	16	57.7	3.3	3.1	
3V220-06	66.7	40	162.8	25	69	35	8.2	3	30	81.4	66.4	17	22	1/8"	22	70.2	3.2	4.2	
3V220-08	66.7	40	162.8	25	69	35	8.2	3	30	82.4	66.4	17	22	1/4"	22.5	70.2	3.2	4.2	
3V320-08	69.2	40	174.8	30	72.4	40	10.5	2.4	35	87.4	70.0	20	27	1/4"	24	75.4	4.3	4.3	
3V320-10	69.2	40	174.8	30	72.4	40	10.5	2.4	35	87.4	70.0	20	27	3/8"	24	75.4	4.3	4.3	
3V420-15	74.2	40	190.5	51	95	50	11.5	3	40	95	82	27	34	1/2"	31.5	79.5	4.3	4.3	

4V Series Solenoid Valve



Ordering Code

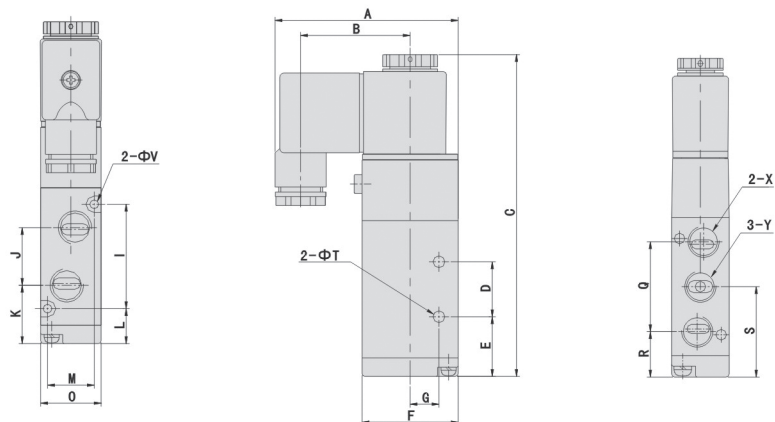
4 V	2	10	—	08	—	AC 220 V	—	□
Type Code	Series code	Coil		Joint Size		Standard voltage		Coil Type
4V:5/2(3) Position Valve	1:100 Series 2:200 Series 3:300 Series 4:400 Series	10:Single control 20:Double Control		M5:M5 08:G1/8" 08:G1/4" 10:G3/8" 15:G1/2"		DC12V DC24V AC24V 50/60HZ AC110V 50/60HZ AC220V 50/60HZ AC380V 50/60HZ		Blank:DIN Type I:Flyingleads

4V Series Solenoid valve

Specifications 4V Series Solenoid Valve (2 Position 5 Port Single Control)

Model	4V110-M5	4V110-06	4V210-06	4V210-08	4V310-08	4V310-10	4V410-15
Working medium	Clean Air(40µm filtration)						
Acting type	Direct Acting						
Joint Size	Import=M5 Export=M5 Exhaust=M5	Import=Export=Exhaust=1/8		Import=1/4 Export=1/4 Exhaust=1/8	Import=1/4 Export=1/4 Exhaust=1/4	Import=3/8 Export=3/8 Exhaust=1/4	Import=1/2 Export=1/2 Exhaust=1/2
Sectional area	5.5mm ² (CV=0.31)	12mm ² (CV=0.67)	14mm ² (CV=0.78)	16mm ² (CV=0.89)	25mm ² (CV=1.39)	30mm ² (CV=1.67)	50mm ² (CV=2.79)
Working pressure	0.15~0.9Mpa						
Max Pressure	1.2Mpa						
Working Temperature	-5~60°C						
Voltage Range	-15%~10%						
Heat Resistant Grade	B						
Protective Class	IP65(DIN40050)						
Coil Type	DIN Type、Flying leads						
Max Acting Frequency	5 Times/s			4 Times/s		3Times/s	

■ Main Specifications



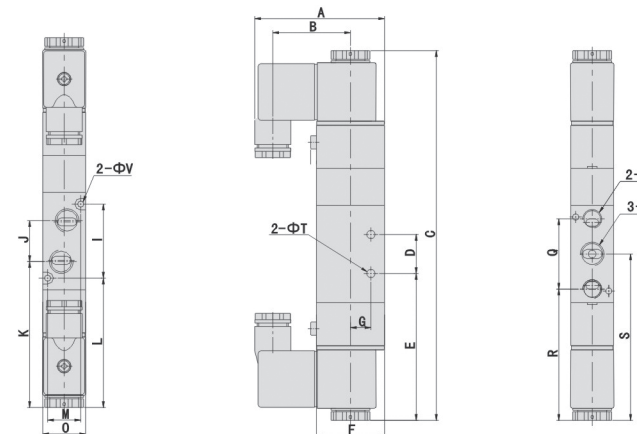
Model	Sign	A	B	C	D	E	F	G	K	I	J	L	M	O	S	Q	R	ΦV	ΦT	X	Y
4V110-M5	55	34	99.4	14	21.2	27	9.5	21.2	30	14	13.2	13	18	28.2	27	14.7	3.3	3.3	M5	M5	
4V110-06	55	34	99.4	14	21.2	27	9.5	20.2	30	16	13.2	13	18	28.2	28	14.2	3.3	3.3	1/8"	1/8"	
4V210-06	66.7	40	117	20	21.7	35	10.5	22.7	38	18	12.7	17	22	31.7	36	13.7	3.2	4.3	1/8"	1/8"	
4V210-08	66.7	40	117	20	21.7	35	10.5	21.2	38	21	12.7	17	22	31.7	36	13.7	3.2	4.3	1/8"	1/4"	
4V310-08	69.2	40	135	24	28	40	13.5	29	50	22	15	20	27	40	45	17.5	4.3	4.3	1/4"	1/4"	
4V310-10	69.2	40	135	24	28	40	13.5	28	50	24	15	20	27	40	45	17.5	4.3	4.3	1/4"	3/8"	
4V410-15	74.2	40	168.4	28	43	50	17.5	39	72	36	21	27	34	57	63	25.5	4.3	5.5	1/2"	1/2"	

4V Series Solenoid Valve

Specifications 4V Series Solenoid Valve (3 Position 5 Port Center Pressure)

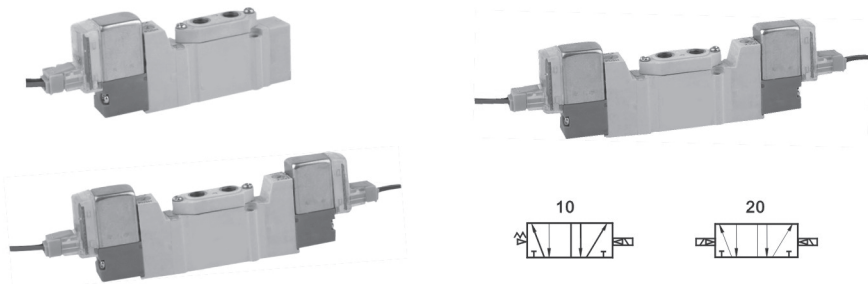
Model	4V130P-M5	4V130P-06	4V230P-06	4V230P-08	4V330P-08	4V330P-10	4V430P-15
Working medium	Clean Air(40µm filtration)						
Acting type	Direct Acting						
Joint Size	Mport=M5 Export=M5 Exhaust=M5	Mport=Export=Exhaust=1/8		Mport=1/4 Export=1/4 Exhaust=1/8	Mport=1/4 Export=1/4 Exhaust=1/4	Mport=3/8 Export=3/8 Exhaust=1/4	Mport=1/2 Export=1/2 Exhaust=1/2
Sectional area	5mm ² (CV=0.28)	9mm ² (CV=0.50)	12mm ² (CV=0.67)		18mm ² (CV=1.0)		30mm ² (CV=1.67)
Working pressure	0.15~0.9Mpa						
Max Pressure	1.2Mpa						
Working Temperature	-5~60°C						
Voltage Range	-15%~10%						
Heat Resistant Grade	B						
Protective class	IP65(DIN40050)						
Coil Type	DIN Type、Flying leads						
Max Acting Frequency	3 Times/s						

■ Main Specification : Center Close/Center Exhaust/Center Pressure



Model	Sign	A	B	C	D	E	F	G	K	I	J	L	M	O	S	Q	R	ΦV	ΦT	X	Y
4V130-M5	55	34	157.4	14	64.2	27	9.5	64.3	30	14	56.2	13	18	71.2	27	57.7	3.3	3.3	M5	M5	
4V130-06	55	34	157.4	14	64.2	27	9.5	63.2	30	16	56.2	13	18	71.2	28	57.2	3.3	3.3	1/8"	1/8"	
4V230-06	66.7	40	190	20	75.4	35	10.5	76.4	38	18	66.4	17	22	85.4	36	67.4	3.2	4.3	1/8"	1/8"	
4V230-08	66.7	40	190	20	75.4	35	10.5	74.9	38	21	66.4	17	22	85.4	36	67.4	3.2	4.3	1/8"	1/4"	
4V330-08	69.2	40	209	24	82.9	40	13.5	83.9	50	22	69.9	20	27	95	45	72.4	4.3	4.3	1/4"	1/4"	
4V330-10	69.2	40	209	24	82.9	40	13.5	82.9	50	24	69.9	20	27	95	45	72.4	4.3	4.3	1/4"	3/8"	
4V430-15	74.2	40	243.8	28	97.4	50	17.5	93.4	72	36	75.4	27	34	111.4	63	79.9	4.3	5.5	1/2"	1/2"	

SY3000 Series Solenoid Valve



Specifications

Fluid	Air
Ambient&Fluid Temperature	Max.50℃
Lubricate	Not required
Hand control	The screwdriver according to enters locking
Cushion	150/30S ² (8.3~2000Hz)
Seal	Guards against the dust

Solenoid Specifications

Electrical Entry		Lead Wire、L - Type plugy connector
Standard Voltage	AC	110V
	DC	24V、12V
Allowable Voltage Range		±10%
Power Consumption	AC	1.0VA/1.1VA Indicator Light
	DC	0.5W/0.55W Indicator Light

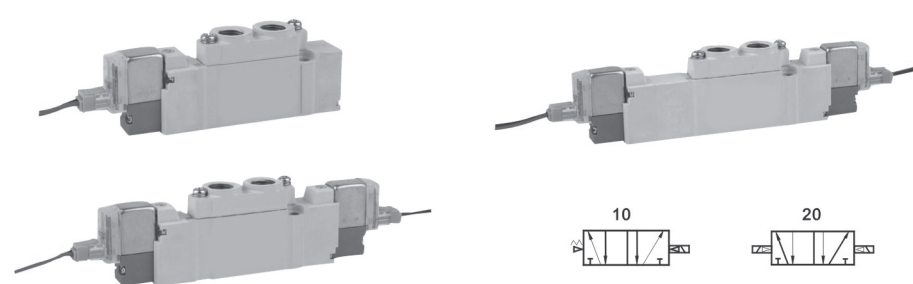
Solenoid Specifications

Type	Specifications							
	Valve type	Solenoid	Pressure range Mpa (kgf/cm ²)	Response time	Working frequency	Joint Size	Sectional area	Weight
SY3120-□△D-M5	2	Single Solenoid	0.15~0.71(1.5~7.2)	≤12	10	M5X0.8	3.6(0.2)	48
SY3220-□△D-M5	2	Double Solenoid	0.1~0.71(1.0~7.2)	≤10	10	M5X0.8	3.6(0.2)	62
SY3320-□△D-M5	2	Double (Central seal)	0.2~0.71(2.0~7.2)	≤15	3	M5X0.8	3.6(0.2)	65
SY3420-□△D-M5	2	Double (Central exhaust)	0.2~0.71(2.0~7.2)	≤15	3	M5X0.8	3.6(0.2)	65
SY3520-□△D-M5	2	Double (Central Pressurizes)	0.2~0.71(2.0~7.2)	≤15	3	M5X0.8	3.96(0.22)	65

Note: □—Represents the working voltage
 3=110VAC
 5=24VDC
 6=12VDC

△—Representative Receives A Telegram The Way
 G=Direct Going Beyond Aline Type(Lead Wire Long 300mm)
 L=L Plug Type(Lead Wire Long 300mm)
 LZ=L Plug Type Has The Indicating Lamp And Has Constrained The Regulator

SY5000 Series Solenoid Valve



Specifications

Fluid	Air
Ambient&Fluid Temperature	Max.50℃
Lubricate	Not required
Hand control	The screwdriver according to enters locking
Cushion	150/30S ² (8.3~2000Hz)
Seal	Guards against the dust

Solenoid Specifications

Electrical Entry		Lead Wire、DIN
Standard Voltage	AC	110V、220V
	DC	24V、12V
Allowable Voltage Range		±10%
Power Consumption	AC	110V:1.1 220V:2.0VA
	DC	0.5W/0.55W Indicator Light

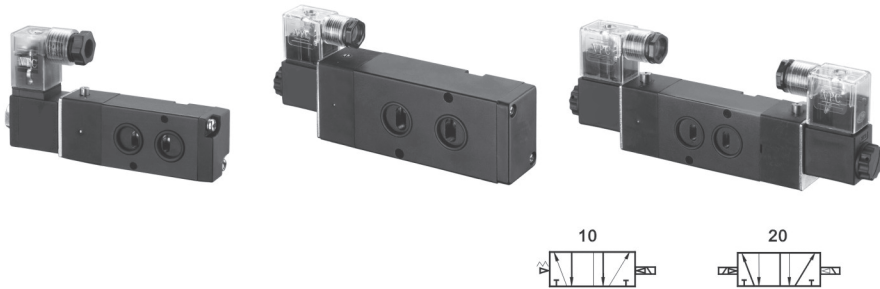
Solenoid Specifications

Type	Specifications							
	Valve type	Solenoid	Pressure range Mpa (kgf/cm ²)	Response time	Working frequency	Joint Size	Sectional area	Weight
SY5120-□△D-01	2	Single Solenoid	0.15~0.71(1.5~7.2)	≤19	5	1/8	9.18(0.51)	62
SY5220-□△D-01	2	Double Solenoid	0.1~0.71(1.0~7.2)	≤18	5	1/8	9.18(0.51)	77
SY5320-□△D-01	3	Double (Central seal)	0.2~0.71(2.0~7.2)	≤32	3	1/8	7.38(0.41)	83
SY5420-□△D-01	3	Double (Central exhaust)	0.2~0.71(2.0~7.2)	≤32	3	1/8	7.56(0.42)	83
SY5520-□△D-01	4	Double (Central Pressurizes)	0.2~0.71(2.0~7.2)	≤32	3	1/8	10.62(0.59)	83

Note: □—Represents the use voltage
 3=110VAC 4=220VAC
 5=24VDC 6=12VDC

△—representative Receives A Telegram The Way
 G=direct Going Beyond Aline Type(lead Wire Long 300mm)
 L=L Plug Type(lead Wire Long 300mm)
 DZ= The DIN Plug Type Belt Indicating Lamp And Hsa Constrained The Regulator
 LZ= L Plug Type Has The Indicating Lamp And Has Constrained The Regulator

4M Series Solenoid valve



Ordering Code 4M Series Namur Valve (2 Position 5 Port)

4 M	2	10	-	08	-	□	-	AC220V
Type Code	Series code	Coil		Joint Size		Coil Type		Standard voltage
4M:5/2 Position Valve (NAMUR Type)	1:100 Series 2:200 Series 3:300 Series 4:400 Series	10:Single Control Double Position 20:Double Control Double Position		M5:M5 06:G1/8" 08:G1/4" 10:G3/8" 15:G1/2"		Blank:DIN Type I:Flyingleads		DC12V DC24V AC24V 50/60HZ AC110V 50/60HZ AC220V 50/60HZ AC380V 50/60HZ

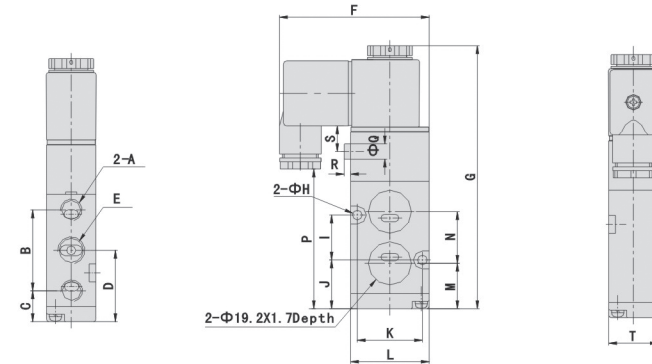
Specifications

Model	4M110-M5	4M120-M5	4M110-06	4M120-06	4M210-06	4M220-06	4M210-08	4M220-08	4M310-08	4M320-08	4M310-10	4M320-10
Working medium	Clean Air(40µm filtration)											
Acting type	Guid Type											
Joint Size	Mport=Exhaust=M5	Mport=Exhaust=1/8	Mport=Exhaust=1/8	Mport=1/4 Exhaust=1/8	Mport=Exhaust=1/4	Mport=3/8 Exhaust=1/4						
Sectional area	5.5mm ² (CV=0.31)	12mm ² (CV=0.67)	14mm ² (CV=0.78)	16mm ² (CV=0.89)	25mm ² (CV=1.4)	30mm ² (CV=1.68)						
Working pressure	0.15~0.8Mpa											
Max Pressure	1.2Mpa											
Working Temperature	-5~60°C											
Voltage Range	-15%~10%											
Heat Resistant Grade	B											
Protective Class	IP65(DIN40050)											
Coil Type	DIN Type、Flying leads											
Max Acting Frequency	4 Times/s											

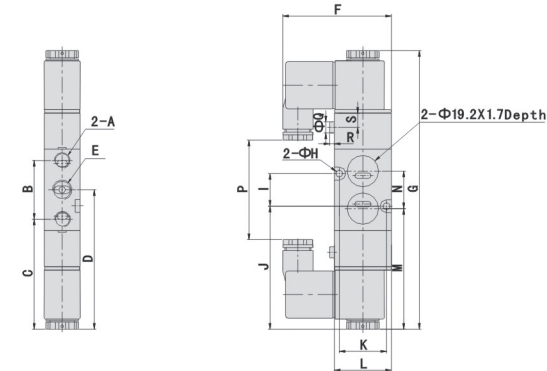
4M Series Solenoid Valve

■ Main Specifications

2 Position 5 Port Single Control

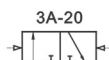
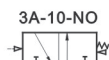
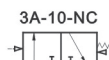


2 Position 5 Port Double Control



Model	Sign	A	B	C	D	E	F	G	H	I	J	K	L	M	N	P	Q	R	S	T
4M110-06	G1/8	30	15.2	30.2	G1/8	55.0	103.4	3.3	16	27.2	21	27	-	16	-	-	-	-	-	-
4M120-06	G1/8	30	58.2	73.2	G1/8	55.0	146.4	3.3	16	65.0	21	27	-	16	-	-	-	-	-	-
4M210-08	G1/8	36	13.7	31.7	G1/4	66.5	119.0	4.3	20	21.7	29	35	20.2	23	62.4	4	1	11	22	
4M220-08	G1/8	36	67.0	85.0	G1/4	66.5	176.0	4.3	20	75.0	29	35	73.5	23	62.4	4	1	11	22	
4M310-10	G1/4	45	17.0	39.5	G3/8	69.0	138.0	5.2	24	27.5	32	40	29.0	22	80.2	4	1	11	27	
4M320-10	G1/4	45	72.0	94.5	G3/8	69.0	195.0	5.2	24	83.7	32	40	82.5	22	80.2	4	1	11	27	
4M410-15	G1/2	63	22.5	52.0	G1/2	75.0	166.0	5.5	32	38.0	42	50	35.5	37	110	4	1	11	34	
4M420-15	G1/2	63	77.0	112.5	G1/2	75.0	225.0	5.5	32	94.5	42	50	92.0	37	112	4	1	11	34	

3A Series Air Control Valve



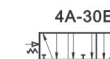
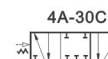
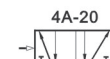
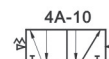
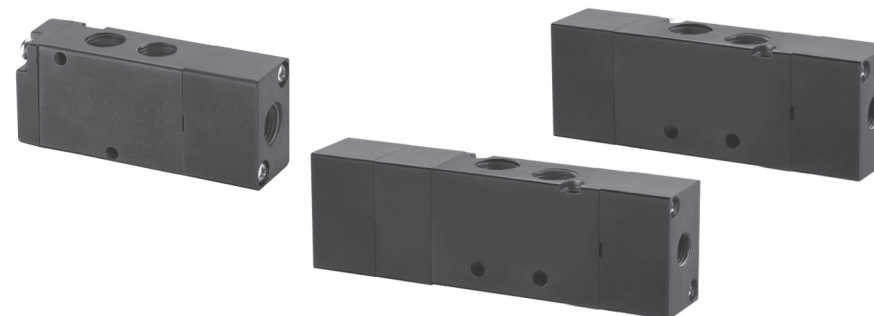
Ordering Code 3A Series Air Control Valve (2 Position 3 Port)

3 A	1	1 0	0 6	-	N 0
Type Code	Series code	Ways	Joint Size		Control Type
3A:2 Position 3 Port Air Control Valve	1:100 Series 2:200 Series 3:300 Series 4:400 Series	10:Single Control Double Position 20:Double Control Double Position	M5:M5 06:G1/8" 08:G1/4" 10:G3/8" 15:G1/2"		Blank:Normal Close NO:Normal Open

Specifications

Model	3A110-M5	3A120-M5	3A110-06	3A120-06	3A210-06	3A220-06	3A210-08	3A220-08	3A310-08	3A320-08	3A310-10	3A320-10
Working medium	Clean Air(40μm filtration)											
Acting type	By Air											
Joint Size	Mport=Export=M5	Mport=Export=1/8	Mport=Export=1/8	Mport=Export=1/8	Mport=Export=1/4	Mport=Export=1/4	Mport=Export=1/4	Mport=Export=1/4	Mport=Export=1/4	Mport=Export=1/4	Mport=Export=3/8	Mport=Export=3/8
Sectional area	5.5mm ² (CV=0.31)	12mm ² (CV=0.67)	14mm ² (CV=0.78)	16mm ² (CV=0.89)	25mm ² (CV=1.4)	30mm ² (CV=1.68)						
Working pressure	0.15~0.8Mpa											
Max Pressure	1.2Mpa											
Working Temperature	-5~60°C											
Max Acting Frequency	5 Times/s											

4A Series Air Control Valve



Ordering Code 4A Series Air Control Valve (2 Position 5 Port/3 Position 5 Port)

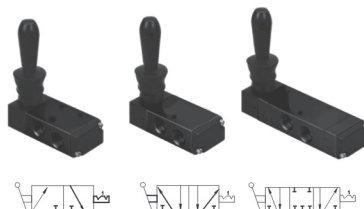
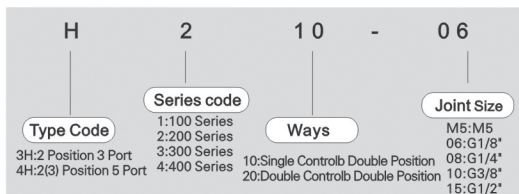
4 A	1	1 0	-	0 6
Type Code	Series code	Ways		Joint Size
4A:(2) Position 5 Port Air Control Valve	1:100 Series 2:200 Series 3:300 Series 4:400 Series	10:Single Control Double Position 20:Double Control Double Position 30C:Double Control three position center close 30E:Double Control three position center exhaust 30P:Double Control three position center pressure		M5:M5 06:G1/8" 08:G1/4" 10:G3/8" 15:G1/2"

Specifications

Model	4A110-06	4A120-06	4A130C-06	4A210-08	4A220-08	4A230C-08	4A310-10	4A320-10	4A330C-10	4A410-15	4A420-15	4A430C-15						
Working medium	Clean Air(40μm filtration)																	
Acting type	By Air																	
Joint Size	Mport=Export=Exhaust=1/8			Mport=Export=1/4			Exhaust=1/8			Mport=Export=3/8			Exhaust=1/4			Mport=Export=Exhaust=1/2		
Sectional area	12mm ² (CV=0.67)	9mm ² (CV=0.50)		16mm ² (CV=0.89)	12mm ² (CV=0.67)		30mm ² (CV=1.67)	18mm ² (CV=1.00)		50mm ² (CV=2.79)	30mm ² (CV=1.68)							
Working pressure	0.15~0.8Mpa																	
Max Pressure	1.2Mpa																	
Working Temperature	-5~60°C																	
Max Acting Frequency	5 Times/mm	3Times/mm		5 Times/mm	3Times/mm		4 Times/mm			3 Times/mm								

Hand Push Valve

Ordering Code H Series Hand Push Valve

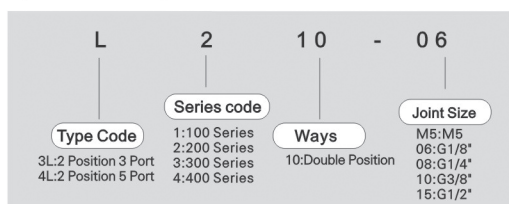


Specifications

Model	3H110-06	3H210-08	4H110-06	4H210-08	4H310-10	4H410-15	4H230-08C	4H330-10C	4H430-15C
Ways	2 Position 3 Port		2 Position 5 Port				3 Position 5 Port		
Joint Size	G1/8"	G1/4"	G1/8"	G1/4"	G3/8"	G1/2"	G1/4"	G3/8"	G1/2"
Orifice	6	6	8	8	10	15	8	10	15
Working Medium	Clean Air(40µm filtration)								
Working Pressure	0~1.0Mpa								
Working Temperature	-10~60℃								

Hand Pull Valve

Ordering Code L Series Hand Pull Valve

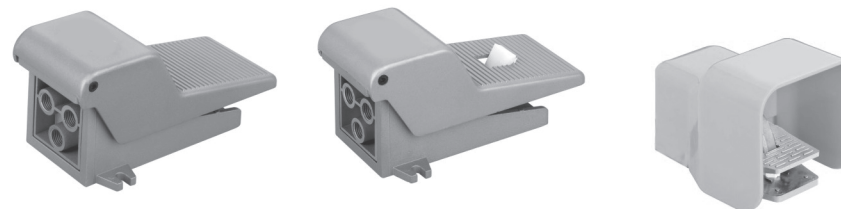
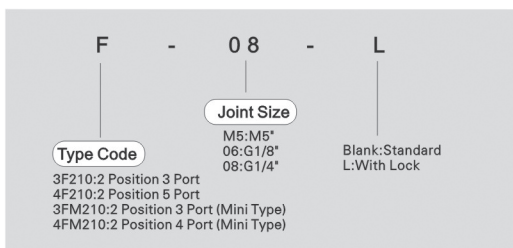


Specifications

Model	3L110-06	3L210-08	3L310-10	3L410-15	4L110-06	4L210-08	4L310-10	4L410-15
Ways	2 Position 3 Port				2 Position 5 Port			
Joint Size	G1/8"	G1/4"	G3/8"	G1/2"	G1/8"	G1/4"	G3/8"	G1/2"
Orifice	6	8	10	15	6	8	10	15
Working Medium	Clean Air(40µm filtration)							
Working Pressure	0~1.0Mpa							
Working Temperature	-10~60℃							

Foot Valve

Ordering Code F Series Foot Valve



Specifications

Model	3FM210-08	4FM210-08	4FM210-08L	3F210-08	4F210-08	4F210-08L	4F210-08G	4F210-08LG
Ways	2 Position 3 Port		2 Position 4 Port		2 Position 3 Port		2 Position 5 Port	
Joint Size	G1/4"							
Working medium	Clean Air(40µm filtration)							
Working pressure	0~0.8Mpa							
Working Temperature	-5~60℃							

Rotary Valve



Ordering Code HV Series Rotary Valve (2 Position 4 Port/3 Position 4 Port)

H V	2	1 0	-	0 6	-	□
Type Code	Series code	Ways		Joint Size		Blank: Basic type
HV: Rotary Valve	2: 200 Series 3: 300 Series 4: 400 Series	10: 2 Position 4 Port 30C: 3 Position 3 Port Center Close 30E: 3 Position 4 Port Center Exhaust		06: G1/8" 08: G1/4" 10: G3/8" 15: G1/2" 20: G3/4"		

Specifications

Model	HV2□□-06	HV2□□-08	HV3□□-08	HV3□□-10	HV4□□-15	HV4□□-20
Working medium	Clean Air(40μm Filtration)					
Ways	2 Position 4 Port, 3 Position 4 Port					
Joint Size	G1/8"		G1/4"		G3/8"	G1/2" G3/4"
Sectional area	14mm ² (CV=0.78)	16mm ² (CV=0.89)	30mm ² (CV=1.67)	33mm ² (CV=1.83)	88mm ² (CV=4.89)	95mm ² (CV=5.27)
Working pressure	0~1.0Mpa					
Guarantee pressure	1.5Mpa					
Working Temperature	-5~60°C					
Working Angle	90°					

Shuttle Valve	Model	Quick Exhausting Valve	Model	One Way Valve	Model	Slide Valve	Model
	VS-06 1/8"		VKP-06 1/8"		VA-06 1/8"		HSV-06FM 1/8"
	VS-08 1/4"		VKP-08 1/4"		VA-08 1/4"		HSV-08FM 1/4"
	VS-10 3/8"		VKP-10 3/8"		VA-10 3/8"		HSV-10FM 3/8"
	VS-15 1/2"		VKP-15 1/2"		VA-15 1/2"		HSV-15FM 1/2"
	VS-20 3/4"		VKP-20 3/4"		VA-20 3/4"		HSV-20FM 3/4"
	VS-25 1"		VKP-25 1"		VA-25 1"		HSV-25FM 1"

Mechanical Valve

■ **M221 Series** Type: 2/2 Joint size: 1/8" Working pressure: 0-0.8Mpa Working Temperature: -5~80°C



■ **MJ322 Series** Type: 2/3 Joint size: 1/4" Working pressure: 0-0.8Mpa Working Temperature: -5~80°C



■ **M322 Series** Type: 2/3 Joint size: 1/4" Working pressure: 0-0.8Mpa Working Temperature: -5~80°C



■ **M522 Series** Type: 2/5 Joint size: 1/4" Working pressure: -0.8Mpa Working Temperature: -5~80°C

